

IR Quattro HD 24m

COM1 - concealed black
 EAN 4007841 068608
 Article number 068608



infrared sensor
360°



max. 8 x 8 m
presence

HD

4800 zones

2000 W

2000 W max. (LED-
ready)



ideal 2,5 - 10 m



indoor sensor

iQ

iQ-mode



energy saving

5 years

manufacturer's
warranty steinel-
professional.de/
garantie



CE

Function description

Detection no finer! Infrared presence detector Presence Control PRO IR Quattro HD COM1 for indoors, ideal for medium to large-size offices, conference and meeting rooms, classrooms and lecture theatres, sports halls and warehouses, installation height up to 10 m, for switching light 'ON' and 'OFF', 4800 switching zones for the ultimate in detection quality, presence detection over a true 64 m², square detection zone, mechanically scalable.

Technical specifications

Dimensions (L x W x H)	70 x 120 x 120 mm	Optimum mounting height	2,8 m
Manufacturer's Warranty	5 years	Detection angle	360 °
Settings via	Remote control, DIP switches, Potentiometers, Smart Remote	Angle of aperture	160 °
With remote control	No	Sneak-by guard	Yes
Version	COM1 - concealed black	Capability of masking out individual segments	No
PU1, EAN	4007841068608	Electronic scalability	No
Type	Presence detector	Mechanical scalability	Yes
Application, place	Indoors	Reach, radial	8 x 8 m (64 m ²)
Application, room	classroom, lecture hall, open-plan office, high-bay warehouse, production facilities, conference room / meeting room, duty room, recreation room, changing room, sports hall, reception / lobby, multi-storey / underground car park	Reach, tangential	20 x 20 m (400 m ²)
Colour	black	Reach, presence	8 x 8 m (64 m ²)
Colour, RAL	9005	Switching zones	4800 switching zones
Includes corner wall mount	No	Functions	Normal / test mode, Semi-/fully automatic, Pushbutton / switch mode, Manual ON / ON-OFF, Constant-lighting control ON-OFF
		Twilight setting	10 – 1000 lx
		Time setting	30 s – 30 Min.

IR Quattro HD 24m

COM1 - concealed black
EAN 4007841 068608
Article number 068608



Technical specifications

Installation site	ceiling	Basic light level function	No
Installation	Concealed wiring, Ceiling	Main light adjustable	No
IP-rating	IP20	Twilight setting TEACH	Yes
Ambient temperature	-25 – 55 °C	Constant-lighting control	No
Material	Plastic	Interconnection	Yes
Mains power supply	230 V / 50 – 60 Hz	Type of interconnection	Master/master, Master/slave
Sensor Technology	Passive infrared	Interconnection via	Cable
Mounting height	2,50 – 10,00 m		
Mounting height max.	10,00 m		

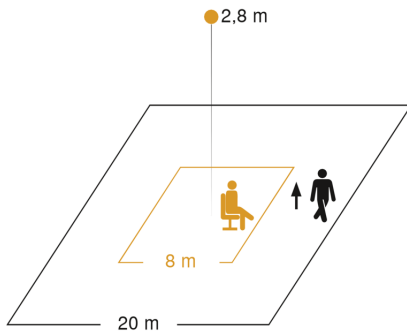
Accessories

EAN 4007841 003036	Control PRO guard cage
EAN 4007841 009151	Remote control Smart Remote
EAN 4007841 559410	Service remote control RC8

IR Quattro HD 24m

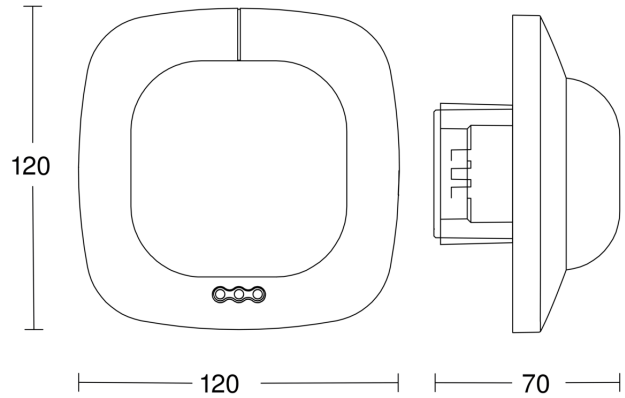
COM1 - concealed black
EAN 4007841 068608
Article number 068608

Detection Zone

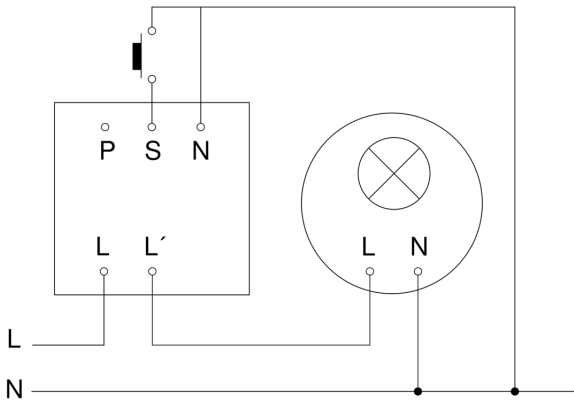


Mögliche Montagehöhe: 2,50 m – 10,00 m
Orange: Präsenz
Schwarz: tangential

Dimension Drawing



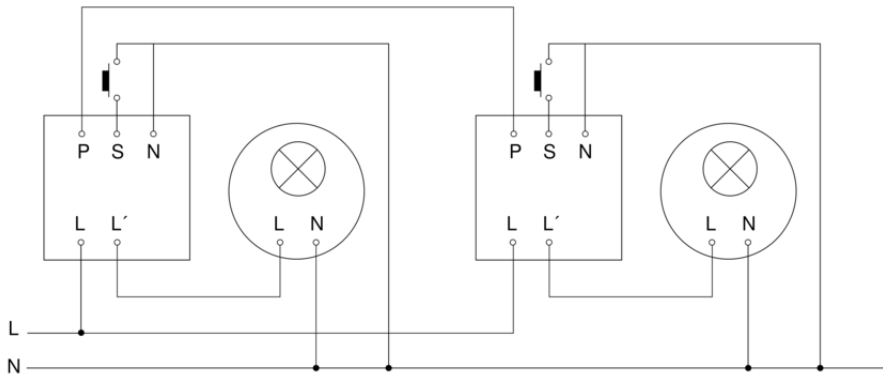
Master circuit diagram



IR Quattro HD 24m

COM1 - concealed black
EAN 4007841 068608
Article number 068608

Master/master interconnection circuit diagram



Master/slave interconnection circuit diagram

